



**GANESH
MACHINERY**
The Edge in Cutting.

20869 Plummer St. Chatsworth, CA 91311
Toll Free: 888-542-6374 (US only)
Phone: 818-349-9166 | Fax: 818-349-7286
www.ganeshmachinery.com

GANESH GMV-2F CNC

2 & 3 Axis CNC Milling Machines



- **FAGOR 8055 MC Teach Control**
- **Full CNC Capability - No CNC Experience Required**
- **Full Manual Capability with Teach-In-Playback Capability**
- **9" x 50" Work Table**
- **Tilt Head Solutions Available for Use in 2-Axis Versions**
- **60 – 4500 RPM Spindle Speeds**
- **Precision Double-Nut Preloaded Ballscrews**
- **Spring Loaded Way Covers for Saddle and Column**
- **Hard-Chrome Plated Quill**
- **Chip & Coolant Tray Included (not shown above)**

STANDARD GANESH GMV-2F & 2F CNC MACHINE FEATURES:

CONSTRUCTION –

- Meehanite Castings, fine grain and high density cast iron using the superior Meehanite Process yields superior vibration dampening and improved surface finish and tool life
- T-slots ground to 5/8” for an accurate reference edge and to fit standard workholding nuts
- Built-in leveling ledge to level machine low to ground
- Precision preloaded zero-backlash double-nut ball screws in the X & Y axis
- Multiple knee and table locks for higher rigidity

SPINDLE –

- 3-HP Spindle Motor for superior metal removal capability (5-HP optional)
- Fafnir Class-7 *Super Precision* matched spindle bearings (Made in England)
- Spindle Runout 0.0002” maximum – guaranteed! (R8 spindle)
- Dual Range Variable Speed Spindle - 60 - 500 rpm (low-range) / 500 - 4200 rpm (high-range)
- 6,000 RPM Spindle available w/ an optional AC Inverter Spindle Head
- Forward/ Reverse switch mounted in a water tight switch box
- Hardened, ground and polished precision Back Gear
- Two high-output fans on spindle motor to provide extra head cooling for a long service life

Quill –

- Power quill feed with 3-feeds and adjustable feed stop & automatic feed trip release
- Hardened and Ground Quill – **Hard chrome plated** for a long service life
- Quill return spring (Made in USA)

BEDWAYS –

- Turcite-B *Red Furon* Coated Hardened and Ground Dovetail slideways in X, & Y
- Hardened and Ground Table

FEATURES –

- Spring Loaded way cover is included for added safety and protection of machine
- Built in coolant pump included
- Chip & Coolant Tray is included
- Water resistant halogen lamp is included
- Controls feature help menus for ease of use
- One-Shot Metered Central Lubrication for slideways and lead screws
- Inspection Report on accuracy, Instruction Manual, Tools and Tool Box all included
- Large compliment of parts and accessories in stock to ensure continued operation

CNC KNEE MILLS PROVIDE THE FLEXIBILITY FOR EASY SETUPS AND QUICK CHANGEOVER THAT CAN'T BE ACHIEVED WITH BED MILLS OR VMC's.

GANESH CNC PLUS MILLS ARE THE BEST TOOLROOM SOLUTION!

INCREASE YOUR EFFICIENCY AND PRODUCTIVITY!!

STANDARD GANESH GMV-1F & 2F CNC MACHINE SPECIFICATIONS

SPECIFICATION

TABLE –

Table Size: W x L	9" x 50" Table Size
T-slot width (3 T-Slots)	5/8" T-Slots with ground reference edges (15.9mm wide)

MACHINE TRAVELS & CAPACITY –

- Travels may be reduced by limit switches, ballscrew bumpers, CNC etc.

Table Travel – X Axis (under CNC control)	32" (812 mm)
Cross Travel – Y Axis	15.75" (400mm)
Ram Travel	17.7" (450mm)
Knee Travel	16" (406mm)
Spindle Nose-to-Table Surface	2" – 18" (50 -457mm)
Quill Travel – Z Axis in 3-axis version	5" (127mm) (manual & Powerfeed travel w/o 3 rd axis)
Quill feeds – With Trip Release	0.0015", 0.003", 0.006" (0.038mm, 0.076mm, 0.152mm)
Quill Diameter	3-3/8" (85.725mm)
Ballscrews (X & Y)	0. 200" per rev.
Adjustable scale ring display resolution	0.001" (5mm)
Ways	Hardened & Ground Dovetail Ways

SPINDLE HEAD –

Spindle Motor	3-HP, 3-Phase 208–240 vac
Spindle Taper	R-8 (ISO 30-taper optional)
Spindle Runout	0.0002" maximum runout (0.005mm)
Spindle Bearings	Fafnir ABEC-7 matched set of Class-7 bearings
Variable Speed Spindle - Dual Range -	60 - 500 rpm (low) / 500 - 4500 rpm (high)

Note: 6,000 RPM Spindle available w/ an optional AC Inverter Spindle Head

Head tilt (Left-to-Right)	90 – 0 – 90 degrees
Head tilt (Front-to-Back / Up-Down)	45 – 0 – 45 degrees
Head Swivel	360-degrees

DIMENSIONS & WEIGHT –

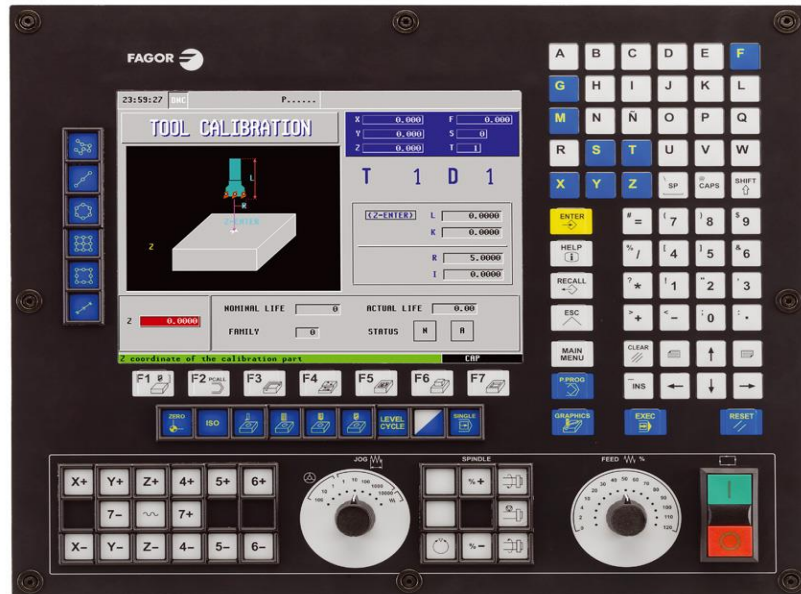
Machine Weight	2407 lbs. (1200 Kgs)
Coolant Capacity	8-Gallons
Electrical Requirements	208 – 220 vac ±5%, 3-Ph., 60 Hz., 9.5-amps

**The Ganesh GMV-2F CNC mills are manufactured in our
Certified ISO 9002 Production Facility in TAIWAN.**

FAGOR 8055MC CNC CONTROLLER – 4th AXIS CAPABLE

The Fagor 8055 MC Control System is perhaps the most versatile CNC in existence due to its Dual Operating System. In one mode, it is a very powerful ISO G-code control System and, in the other mode, it features **Icon conversational programming with highly interactive graphics**, which make even complex tasks easy to program - **regardless of the operators experience level**.

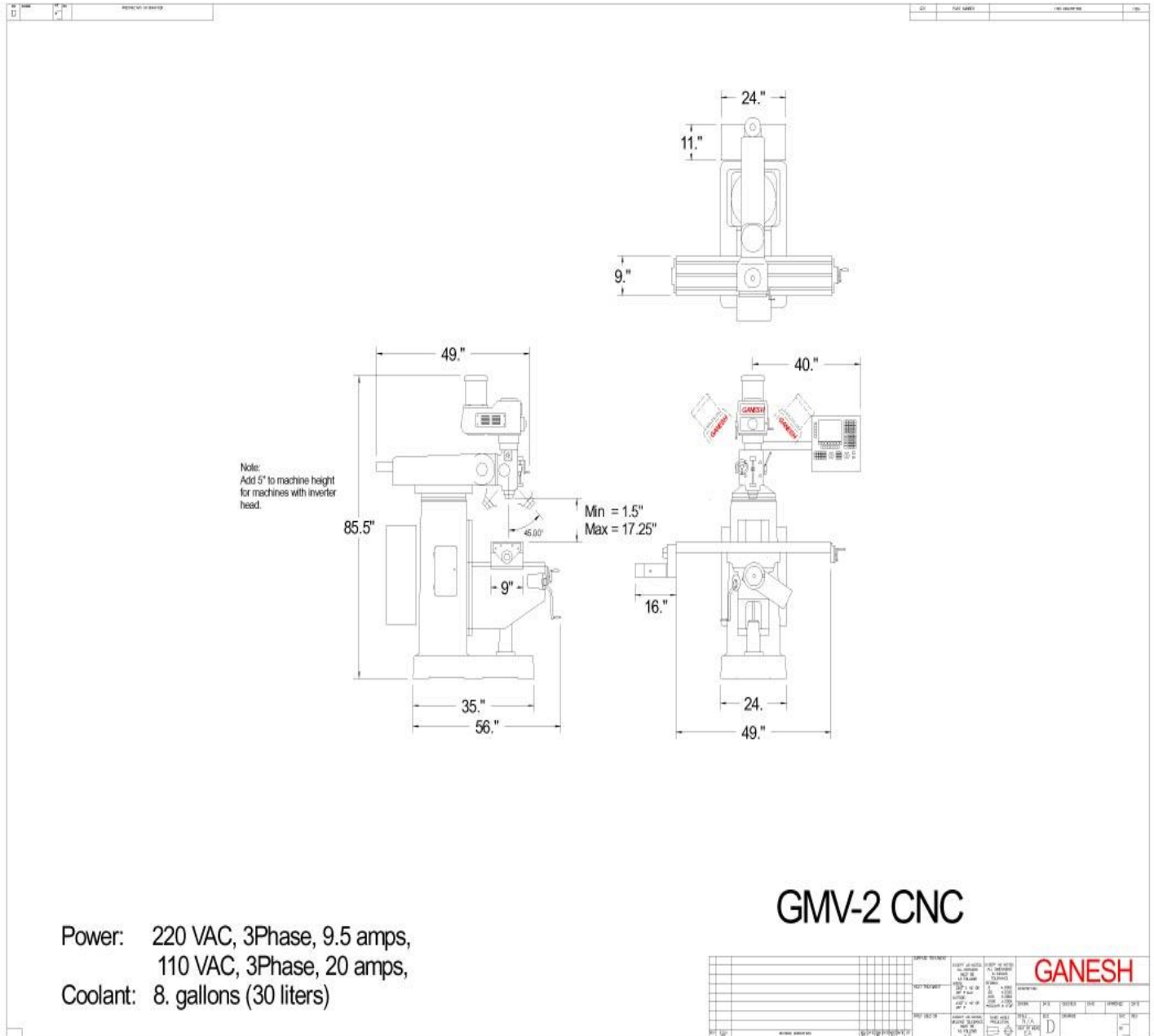
No prior CNC programming knowledge is required to operate this control.



Fagor CNC 8055 MC Control System

- **Icon Conversational Programming – 26 High-Performance Canned Cycles**
Rectangular Boss cycle, Round Boss cycle, Rectangular Pocket cycle, Circular Pocket cycles, Profile Pocket 2D & 3D cycles, Slot Milling, Profile Milling, Multiple Drilling cycles, Boring cycles, Reaming cycles, Arc bolt hole cycles, Random position cycles, Grid Pattern position cycles.
- 4-axis CNC + spindle all under full CNC control
- 4-axis simultaneous interpolation with full Linear, Circular and **Helical Interpolation**
- Fagor Intelligent Profile Editor (mini **CAD/CAM**)
- Tool Radius, Tool Length, Tool Wear compensation, 255-sets
- Simulation mode, dry run mode, and Solid 3D Graphics Display with zoom feature
- 10.4" High Resolution LCD color monitor
- Jog Mode & MDI Mode
- Tool offset and Work Coordinate Zero offset tables
- G-code Programming and Editing (on-line with interactive editor), plus M-codes
- WIN DNC offline software program
- Ballscrew pitch & backlash compensation
- Tele-diagnosis: Remote Instant Service capability through modem. (optional)
- Front-mounted USB port for program transfer (standard), Ethernet TCP/IP (optional)

GANESH GMV-2F CNC



FLOOR PLAN LAYOUT

Prices and specifications subject to change without prior notice.