



**GANESH
MACHINERY**
The Edge in Cutting.

20869 Plummer St. Chatsworth, CA 91311
Toll Free: 888-542-6374 (US only)
Phone: 818-349-9166 | Fax: 818-349-7286
www.ganeshmachinery.com

GANESH Precision Milling Machine

GMV-5 - (12" X 58") Heavy-Duty



- **Class-7 Super Precision Fafnir Spindle Bearings**
- **5-Horsepower Variable Speed Head**
- **60 – 3,600 RPM Spindle Speeds (5,000 RPM Inverter Spindle Optional)**
- **Square Box Ways on Knee & Column - Y & Z Axis**
- **Automatic Lubrication of Ways and Leadscrews**
- **1.5-Horsepower Knee Power-Feed Motor**
- **Hard-Chrome Plated Quill**
- **40-Taper Spindle**
- **1-Year Warranty**

STANDARD GANESH GMV-5 MACHINE FEATURES:

Machine Construction:

- Meehanite Castings, fine grain and high density cast iron using the superior Meehanite process provides superior vibration dampening and improved surface finish and tool life
- Built-in leveling ledge to level machine low to ground

Bed ways:

- Turcite-B Premium *Red Furon* Coated way surfaces
- Hardened and Ground extra wide Box Way saddle for heavy-duty cutting performance
- Hardened and Ground Square Box Ways on Column and Knee
- Hardened and Ground Machine Table for enhanced wear resistance

Spindle:



- 5-HP Spindle Motor
- #40-taper spindle for superior metal removal capability
- Fafnir ABEC Class-7 matched *Super Precision* spindle bearings
- Hardened, ground & polished precision Back Gear for quiet spindle operation
- 2 high-output spindle motor fans to provide extra cooling for long service life
- Forward/ Reverse spindle switch housed in an oil-tight switch box
- 3,600-RPM Spindle with 0.0002" maximum spindle runout.

Quill:

- Power quill feed with 3-feeds and adjustable feed stop & automatic feed trip release
- Hardened and Ground Quill – **Hard chrome plated** for a long service life
- Quill return spring (Made in USA)

Machine Features:

- Hi -Torque 1.5-HP knee powerfeed included to enhance operator efficiency
- Multiple knee and table locks for superior rigidity
- T-slots ground to 5/8" to fit standard workholding nuts
- Automatic Metered Lubrication for slideways and lead screws
- Spring Loaded way cover is included for added safety and protection of machine
- Built-in coolant pump is included
- Chip-Tray is included
- Water resistant halogen lamp is included
- Inspection Report on accuracy, Instruction Manual, Tools and Tool Box all included
- Large compliment of parts and accessories in stock to ensure continued operation

THE HEAVIEST-DUTY TOOLROOM MILL ON THE MARKET

STANDARD GANESH GMV-5 MACHINE SPECIFICATIONS:

TABLE –

Table Size:	12" X 58" (305mm X 1473mm)
Table Travel / (With Power Feed)	36" (914mm) / 32" (812mm)
Table Weight Capacity	1,500 lbs
T-slot width (3 Hardened & Ground T-Slots)	5/8" ground reference edges (15.9mm wide)

MACHINE TRAVELS & CAPACITY –

Table Travel – X Axis / (With Power Feed)	38" (965mm) / 35" (890mm)
Cross Travel – Y Axis	15.75" (400mm)
Knee Travel – Z Axis	16" (406mm)
Ram Travel	17.7" (450mm)
Spindle Nose-to-Table Travel	2" – 18" (50 - 457mm)
Quill Travel – Manual & Power Feed	5" (127mm)
Quill feeds – With Trip Release	0.0015", 0.003", 0.006", (0.038mm, 0.076mm, 0.152mm)
Quill Diameter	4.13" (105mm)
Leadscrews with ground pitch (X & Y)	200" per rev. (5mm) (ballscrews optional)
Adjustable scale ring resolution	0.001" (0.0254mm)

Slide Ways

	Hardened & Ground
X-Axis – Longitudinal Table Travel	Hardened & ground dovetail ways
Y-Axis - Cross Slide to Knee	Hardened & ground square box ways
Z-Axis - Knee to Column	Hardened & ground square box ways

SPINDLE HEAD –

Head tilt (Left-to-Right)	90 – 0 – 90 degrees
Head tilt (Front-to-Back / Up-Down)	45 – 0 – 45 degrees
Head Swivel	360-degrees
Spindle Motor	5-HP, 3-Phase 208–240 vac, (5-HP option)
Spindle Taper	40-taper
Spindle Runout	0.0002" maximum runout (0.005mm)
Spindle Bearings	Fafnir ABEC-7 matched set of Class-7 bearings
Variable Speed Drive - Dual Range	70 - 460 rpm (low-range) / 460 - 3600 rpm (high-range)

Note: *5,000-RPM Spindle available w/ the optional AC Inverter Spindle Head*

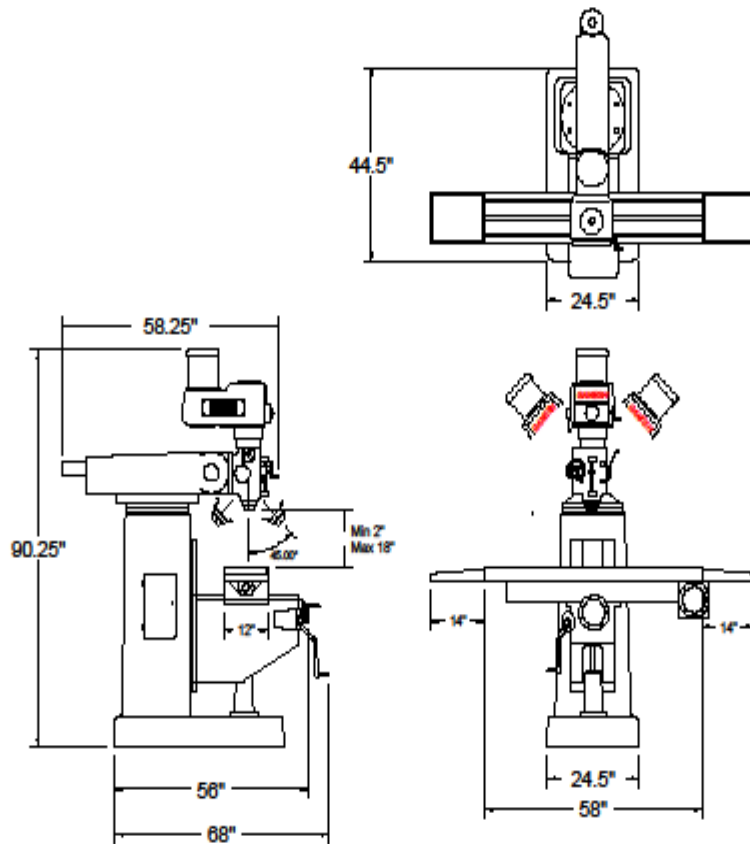
DIMENSIONS & WEIGHT –


Power Requirements	3-Phase 220 vac @ 26-amps, (440 vac optional)
Coolant Capacity	13.5-Gallons (51 liters)
Machine Weight	3,850 lbs.

**THE BEST MILLS IN THE INDUSTRY
NOW BACKED BY A FULL - SATISFACTION GUARANTEE**

Floor Plan Layout

Power: 220 VAC, 3Phase, 26 amps,
 Power: 440 VAC, 3Phase, 19 amps,
 Coolant: 13.5 gallons (51 liters)



 GANESH MACHINERY <i>The Edge to Cutting</i>	DESCRIPTION GMV-5 Knee Mill					
	DESIGN	DATE	DESIGNED	DATE	APPROVED	DATE
	DBS					
	MODEL	REV.	REMARKS			REV.
	N/A					
UNIT OF MEAS.		ENT.	IF			

The Ganesh GMV - 5 is manufactured in our Certified ISO 9001 Production Facility in TAIWAN.

Prices and specifications subject to change without prior notice.